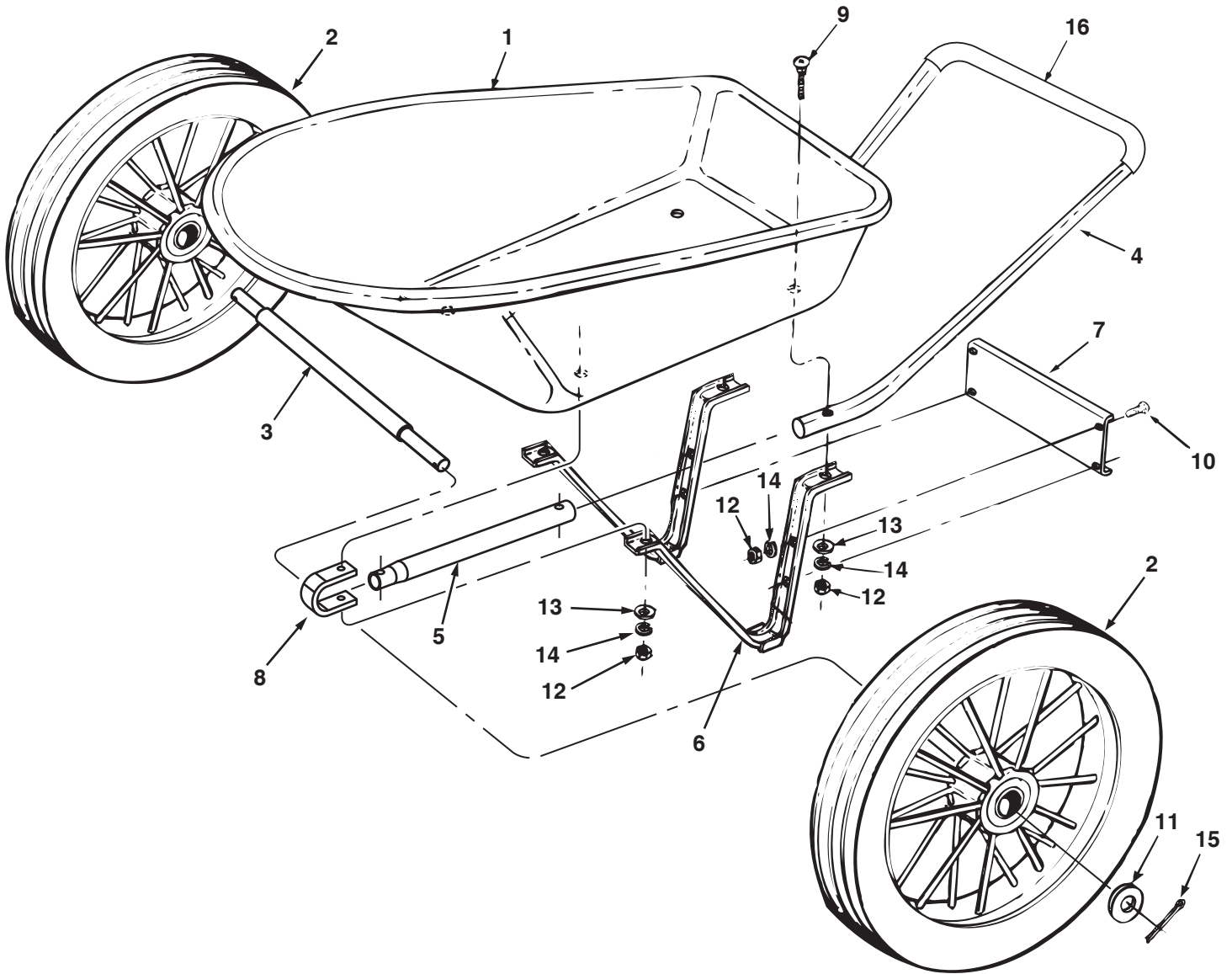


MODEL 45-02265 POLY LAWN CART



| REF. NO. | PART NO. | QTY. | DESCRIPTION               | REF. NO. | PART NO.  | QTY. | DESCRIPTION               |
|----------|----------|------|---------------------------|----------|-----------|------|---------------------------|
| 1        | 49694    | 1    | Poly Tray                 | 10       | 43182     | 4    | Hex Bolt, 5/16" x 3/4"    |
| 2        | 40775    | 2    | Wheel                     | 11       | R19171616 | 2    | Flat Washer, Large        |
| 3        | 26373    | 1    | Axle                      | 12       | 43083     | 8    | Hex Nut, 5/16"            |
| 4        | 49692    | 1    | Upper Handle              | 13       | 43081     | 4    | Flat Washer, 5/16"        |
| 5        | 49693    | 2    | Handle Extension          | 14       | 43086     | 8    | Lock Washer, 5/16"        |
| 6        | 44192    | 2    | Channel Leg               | 15       | 43010     | 2    | Cotter Pin, 1/8" x 1-1/4" |
| 7        | 813139   | 1    | Leg Brace                 | 16       | 48836     | 1    | Foam Grip                 |
| 8        | 23878    | 2    | U-Clamp                   |          |           |      |                           |
| 9        | 44977    | 4    | Carriage Bolt, 5/16" x 2" |          |           |      |                           |

\*Purchase Common Hardware Locally.